

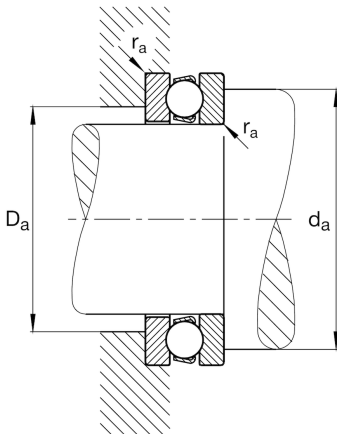
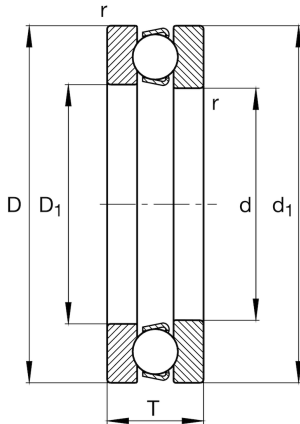
FAG

**51140-MP**

Axial deep groove ball bearing

Schaeffler ID:  
0190612850000Axial deep groove ball bearing 511...-MP,  
single direction, solid brass cage

## Technical information

**Main Dimensions & Performance Data**

d	200 mm	Inner diameter shaft washer
D	250 mm	Outer diameter housing washer
T	37 mm	Height
$C_a$	162.000 N	Basic dynamic load rating, axial
$C_{0a}$	670.000 N	Basic static load rating, axial
$C_{ua}$	20.400 N	Fatigue load limit, axial
$n_G$	1.980 1/min	Limiting speed
$n_{gr}$	1.760 1/min	Reference speed
	4,26 kg	Weight

**Dimensions**

$r_{min}$	1,1 mm	Minimum chamfer dimension
$D_1$	203 mm	Inner diameter housing washer
$d_1$	247 mm	Outer diameter shaft washer

**Mounting dimensions**

$d_{a min}$	230 mm	Minimum diameter shaft shoulder
$D_{a max}$	220 mm	Maximum diameter of housing shoulder
$r_{a max}$	1 mm	Maximum filled radius

**Calculation factors**

A	2,5	Minimum load factor
---	-----	---------------------

**Temperature range**

$T_{min}$	-30 °C	Operating temperature min.
$T_{max}$	200 °C	Operating temperature max.